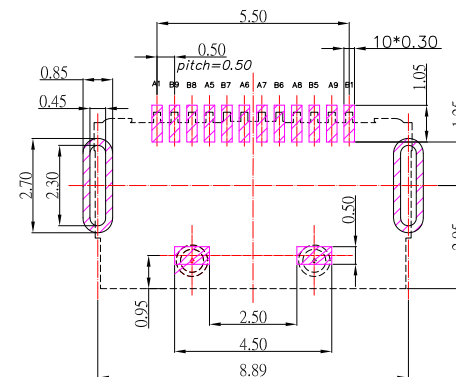


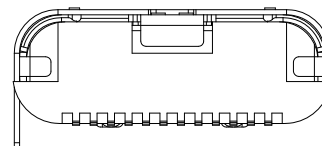
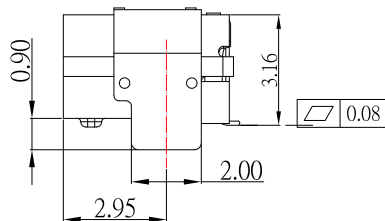
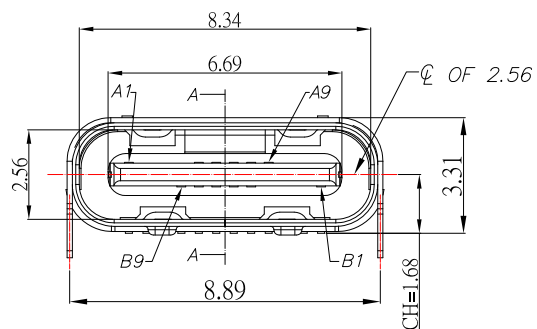
SBC-120S1-20x-S277

鍍層厚度 :

Blank : 1u"
2 : 15u"
3 : 30u"



RECOMMENDED P.C.B. LAYOUT



**SPECIFICATIONS**

**Electrical:**

1. Rating: 5.0V , 3.0A

1. Dielectric Withstand Voltage: 100V AC

2. Contact Resistance: 40 mΩ Max

3. Insulation Resistance: 100 MΩ Min

**Material:**

1. Housing: LCP

2. Contact: C7025

3. Shell: SUS

**Finish:**

1. Contact: Plated Gold in Mating Area ;

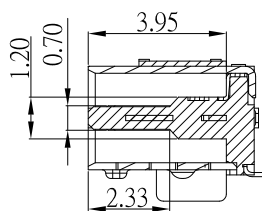
Gold Plated on Solder Balls ;

Nickel under plated overall

2. Shell: Nickel under Plated surface layer

USB TYPE-C PIN ASSIGNMENTS

PIN NUMBER	SIGNAL NAME	PIN NUMBER	SIGNAL NAME
A1	GND	B9	VBUS
A5	CC1	B8	SBU2
A6	DP1	B7	DN2
A7	DN1	B6	DP2
A8	SBU1	B5	CC2
A9	VBUS	B1	GND



SECTION A-A  
SCALE 1:1

**CONTACT** 建倚科技股份有限公司  
**CONTACT TECHNOLOGY CORP.**

TOLERANCE UNLESS OTHERWISE STATED:  
Up to 5 ±0.2  
Above 5 ~ 15 ±0.3  
Above 15 ~ 30 ±0.4  
Above 30 ~ 50 ±0.5  
Angle ±0.3°

3RD. ANGEL'S

UNITS MM

DRAWN BY:	DATE	MAT'L	TITLE	CONNECTOR
Jack Lu	10/11/22			
CHECKED BY:	DATE	FINISH	MODLE	USB TYPE C 2.0 板上型 SMT L 4.75 mm
Jacky Chen	10/11/22			
APPROVED BY:	DATE	SCALE	DWG NO.	SBC-120S1-20x-S277
Tony Kao	10/11/22	1 : 1	PART NO.	SBC-120S1-20x-S277
		SHEET NO.	1 of 1	SIZE A4
				VER R

ITEM NO.	DESCRIPTION	DRAWN	DATE